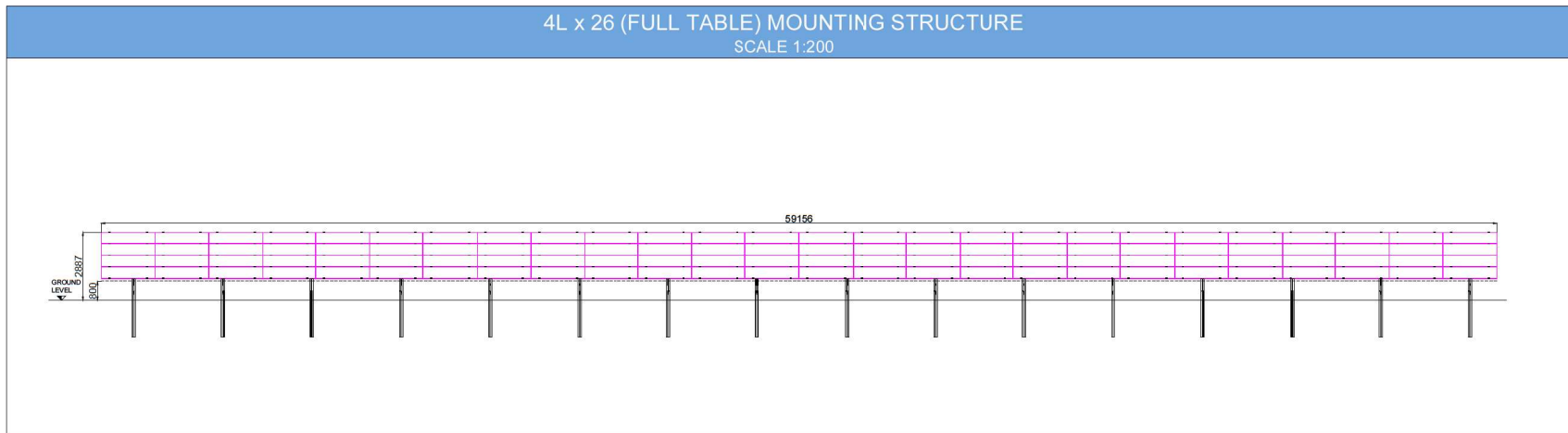


TECHNICAL DETAILS - MOUNTING STRUCTURE

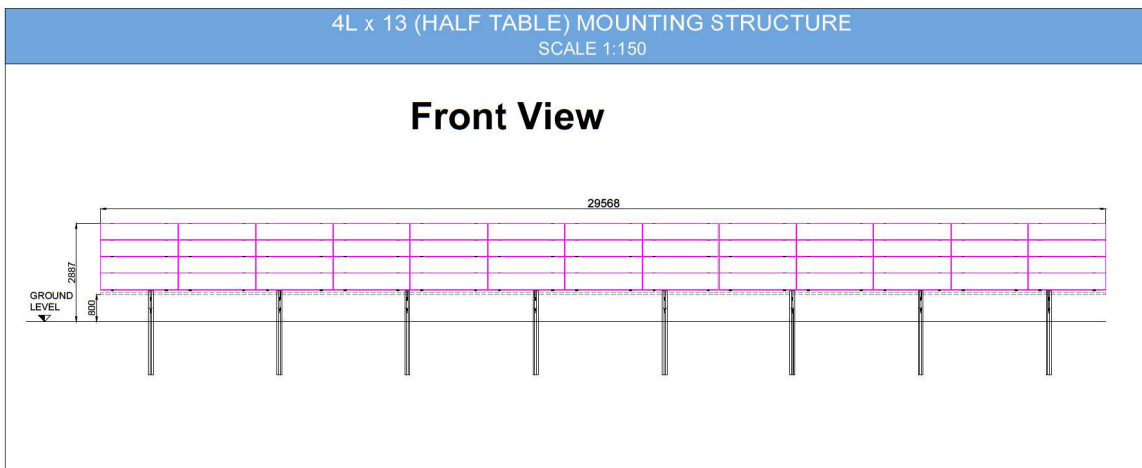
Appendix 4

4L x 26 (FULL TABLE) MOUNTING STRUCTURE
SCALE 1:200



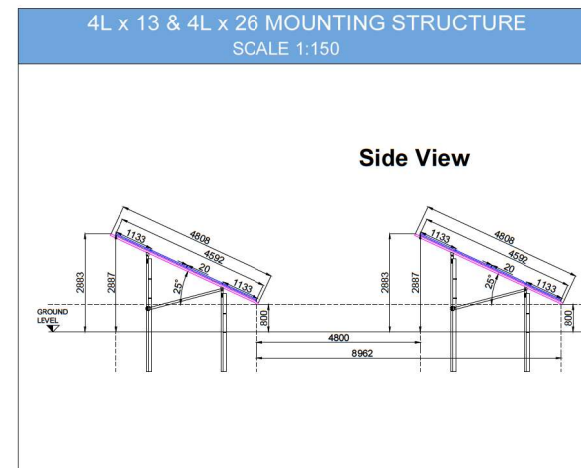
4L x 13 (HALF TABLE) MOUNTING STRUCTURE
SCALE 1:150

Front View



4L x 13 & 4L x 26 MOUNTING STRUCTURE
SCALE 1:150

Side View



* All dimensions shown are in millimeters and are approximate *

A3 - (420 x 297) mm

R0	SB	SD	JR	First Draft		15.06.2021
REV	DRAWN	REVIEWED	APPROVED	CHANGE	DATE	
1						

GreenEnco
3 Allington Road, Harrow,
London, HA2 6AJ
www.greenenco.co.uk

DRAWING TITLE: TECHNICAL DETAILS - MOUNTING STRUCTURE		DRAWING NUMBER: PL.004		APPROVAL STAMP:		SCALE: 1:150, 1:200
PROJECT NAME & ADDRESS: SKEEBY SOLAR FARM			CUSTOMER: HARMONY ENERGY		STATUS: PLANNING	
						FORMAT: DIN A3
						SHEET: 1/1